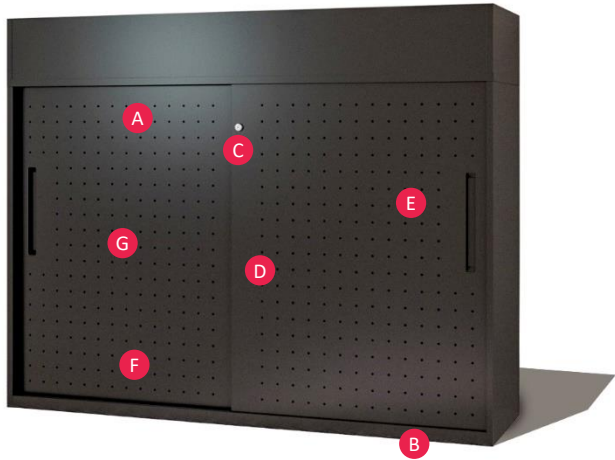




# SD - SLIDING DOOR



A – Patented one-form technology and ANSI-BIFMA X5.3-2007 certified

B – Adjustable floor levelers

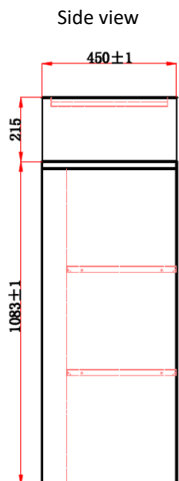
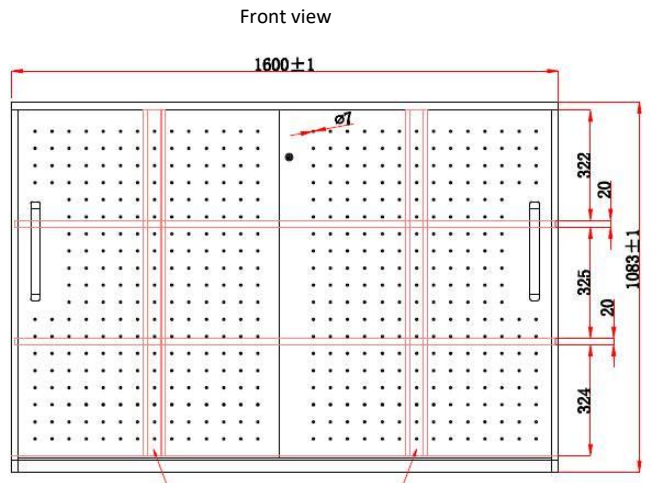
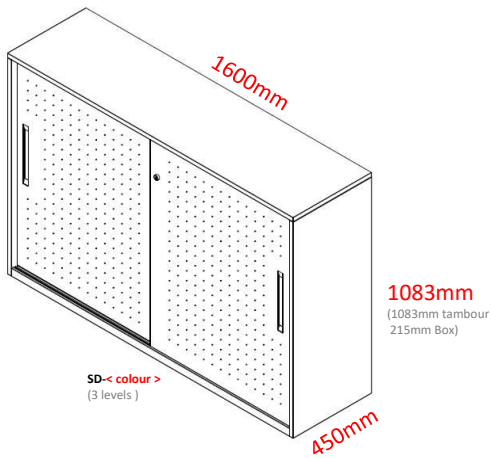
C – Interchangeable key lock and barrel system

D – Adjustable slotted shelves

E – Perforated sliding door.

F – Environmentally friendly with 30% recycled raw material

G – Subtle premium powder coat finish



### Options:

- Specified Powder coat to full unit
- Extra Shelves and clips
- Planter available in melamine finish for an executive look
- Melamine bench top

Premium power coat finish available stockexpress.®



SD-W  
(Pearl white)

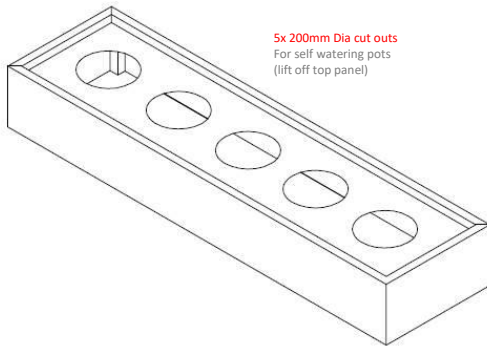


SD-B  
(Satin black)



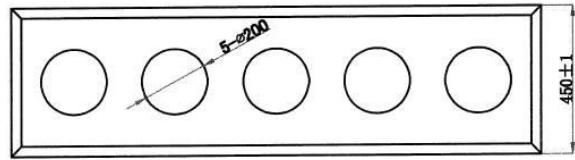
SD-CPC  
(Custom powdercoat)  
(Lead time approx. 8wks  
Subject to MOQ)

# SD - PLANTER

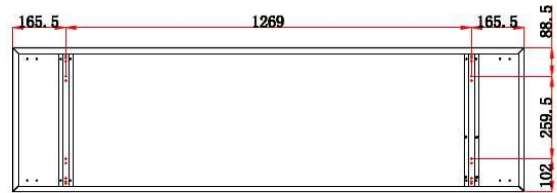


5x 200mm Dia cut outs  
For self watering pots  
(lift off top panel)

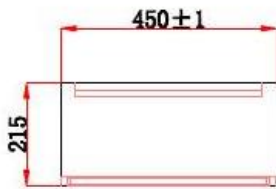
Top view



Front view



Side view



Premium power coat finish available stockexpress.®



SD-W  
(Pearl white)



SD-B  
(Satin black)



SD-CPC  
(Custom powdercoat)

## Standard melamine finish range (Other finishes available on request)



White



Alaskan



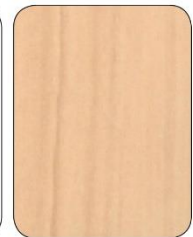
Curly Birch



Young Beech



Parchment



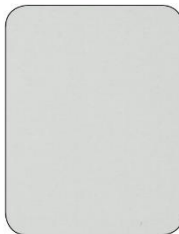
Lemon Tree



Cherry



Golden  
Beech



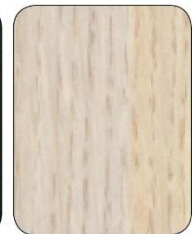
Seal Grey



Ironstone



Black



Natural Oak

